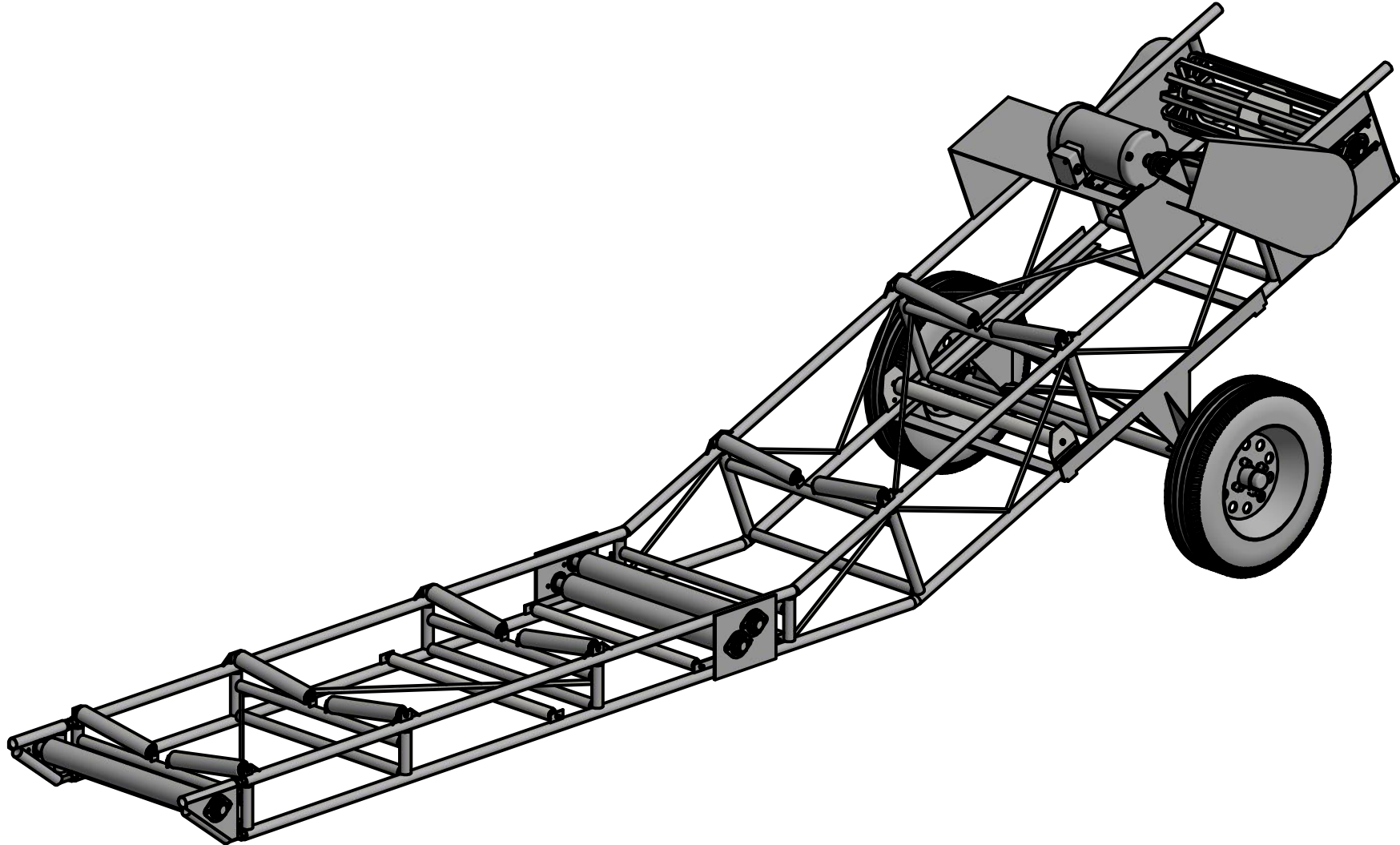


E-ZLIFT Bottom Dump Car Unloader BDCU

with Secondary Drive for 18" & 24" Wide Belts

Parts List & Schematic



Multilift, Inc.

Denver, CO USA

www.ezliftconveyors.com

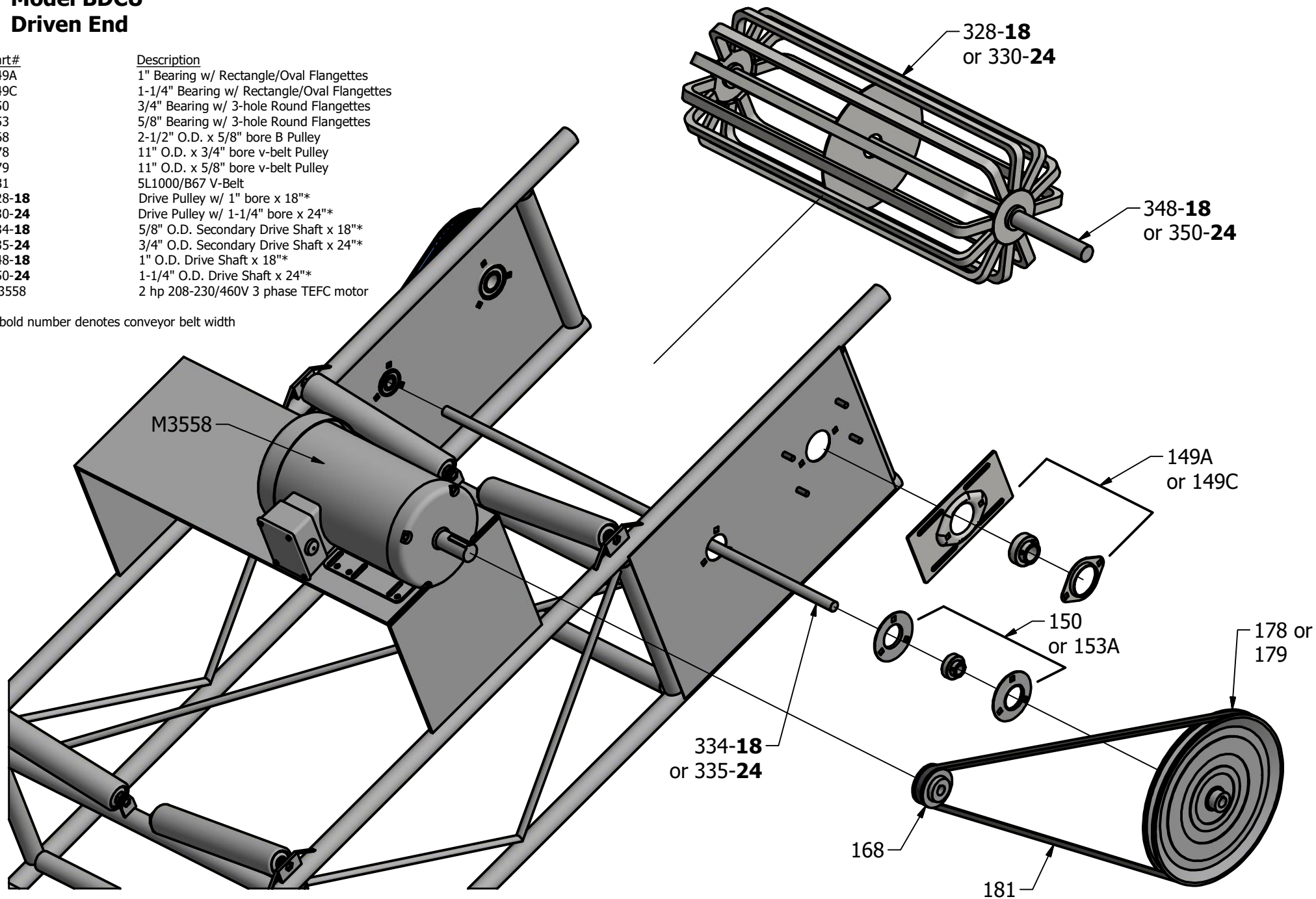
North American Toll Free: 1-800-821-9966

Denver Local: 303-733-5533

Model BDCU Driven End

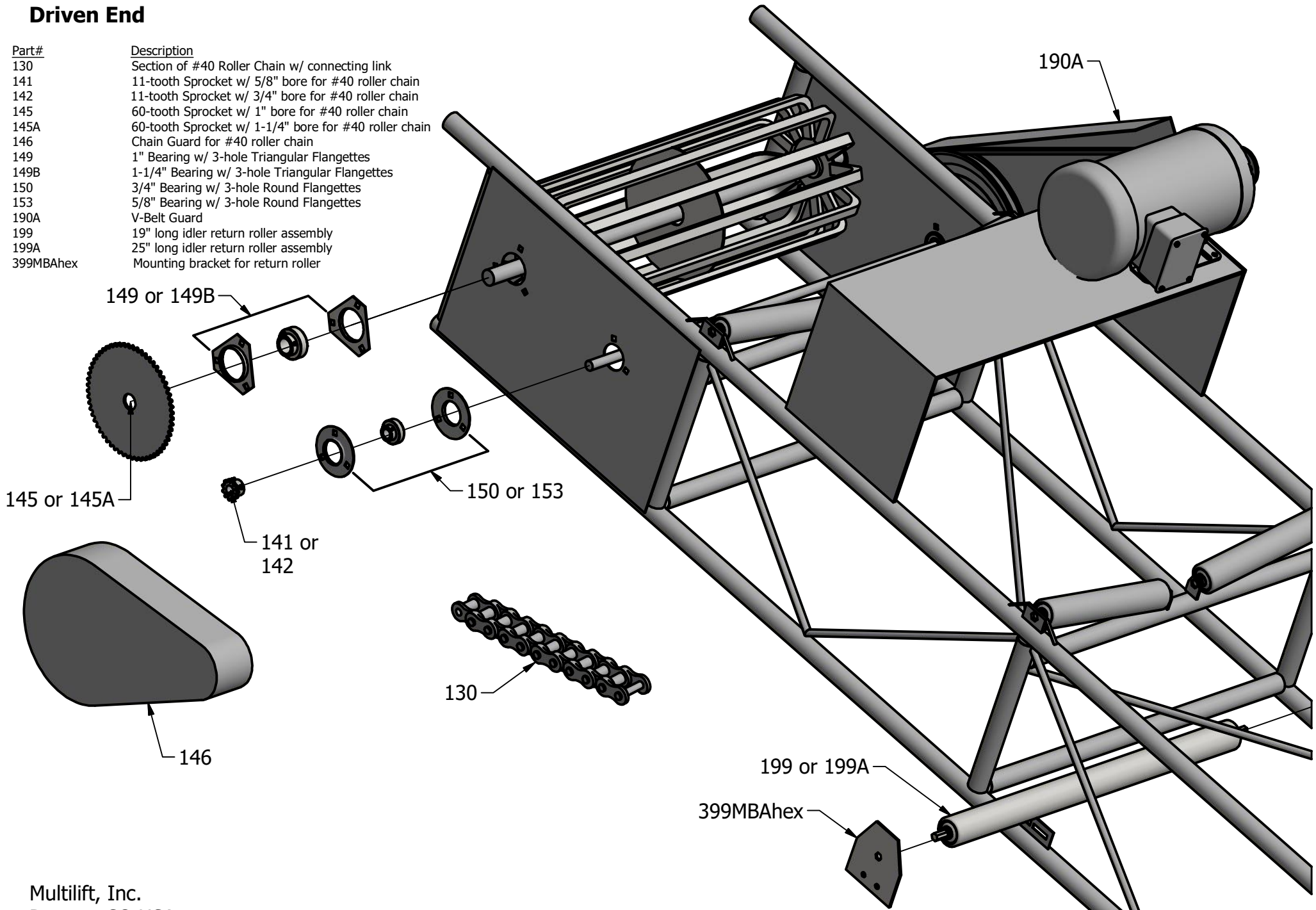
Part#	Description
149A	1" Bearing w/ Rectangle/Oval Flangettes
149C	1-1/4" Bearing w/ Rectangle/Oval Flangettes
150	3/4" Bearing w/ 3-hole Round Flangettes
153	5/8" Bearing w/ 3-hole Round Flangettes
168	2-1/2" O.D. x 5/8" bore B Pulley
178	11" O.D. x 3/4" bore v-belt Pulley
179	11" O.D. x 5/8" bore v-belt Pulley
181	5L1000/B67 V-Belt
328-18	Drive Pulley w/ 1" bore x 18"*
330-24	Drive Pulley w/ 1-1/4" bore x 24"*
334-18	5/8" O.D. Secondary Drive Shaft x 18"*
335-24	3/4" O.D. Secondary Drive Shaft x 24"*
348-18	1" O.D. Drive Shaft x 18"*
350-24	1-1/4" O.D. Drive Shaft x 24"*
M3558	2 hp 208-230/460V 3 phase TEFC motor

* bold number denotes conveyor belt width



Model BDCU Driven End

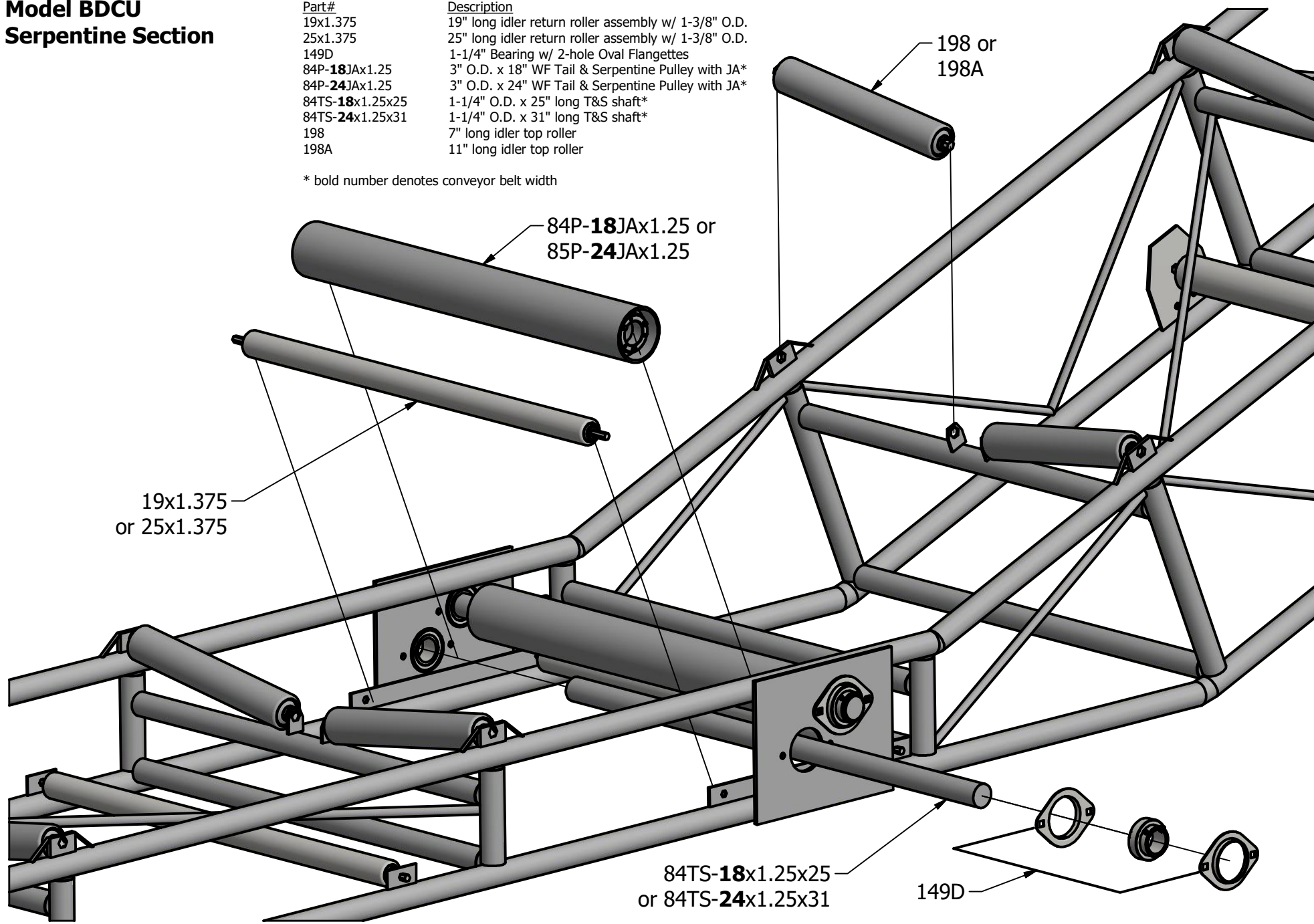
Part#	Description
130	Section of #40 Roller Chain w/ connecting link
141	11-tooth Sprocket w/ 5/8" bore for #40 roller chain
142	11-tooth Sprocket w/ 3/4" bore for #40 roller chain
145	60-tooth Sprocket w/ 1" bore for #40 roller chain
145A	60-tooth Sprocket w/ 1-1/4" bore for #40 roller chain
146	Chain Guard for #40 roller chain
149	1" Bearing w/ 3-hole Triangular Flangettes
149B	1-1/4" Bearing w/ 3-hole Triangular Flangettes
150	3/4" Bearing w/ 3-hole Round Flangettes
153	5/8" Bearing w/ 3-hole Round Flangettes
190A	V-Belt Guard
199	19" long idler return roller assembly
199A	25" long idler return roller assembly
399MBAhex	Mounting bracket for return roller



Model BDCU Serpentine Section

Part#	Description
19x1.375	19" long idler return roller assembly w/ 1-3/8" O.D.
25x1.375	25" long idler return roller assembly w/ 1-3/8" O.D.
149D	1-1/4" Bearing w/ 2-hole Oval Flangettes
84P- 18 JAx1.25	3" O.D. x 18" WF Tail & Serpentine Pulley with JA*
84P- 24 JAx1.25	3" O.D. x 24" WF Tail & Serpentine Pulley with JA*
84TS- 18 x1.25x25	1-1/4" O.D. x 25" long T&S shaft*
84TS- 24 x1.25x31	1-1/4" O.D. x 31" long T&S shaft*
198	7" long idler top roller
198A	11" long idler top roller

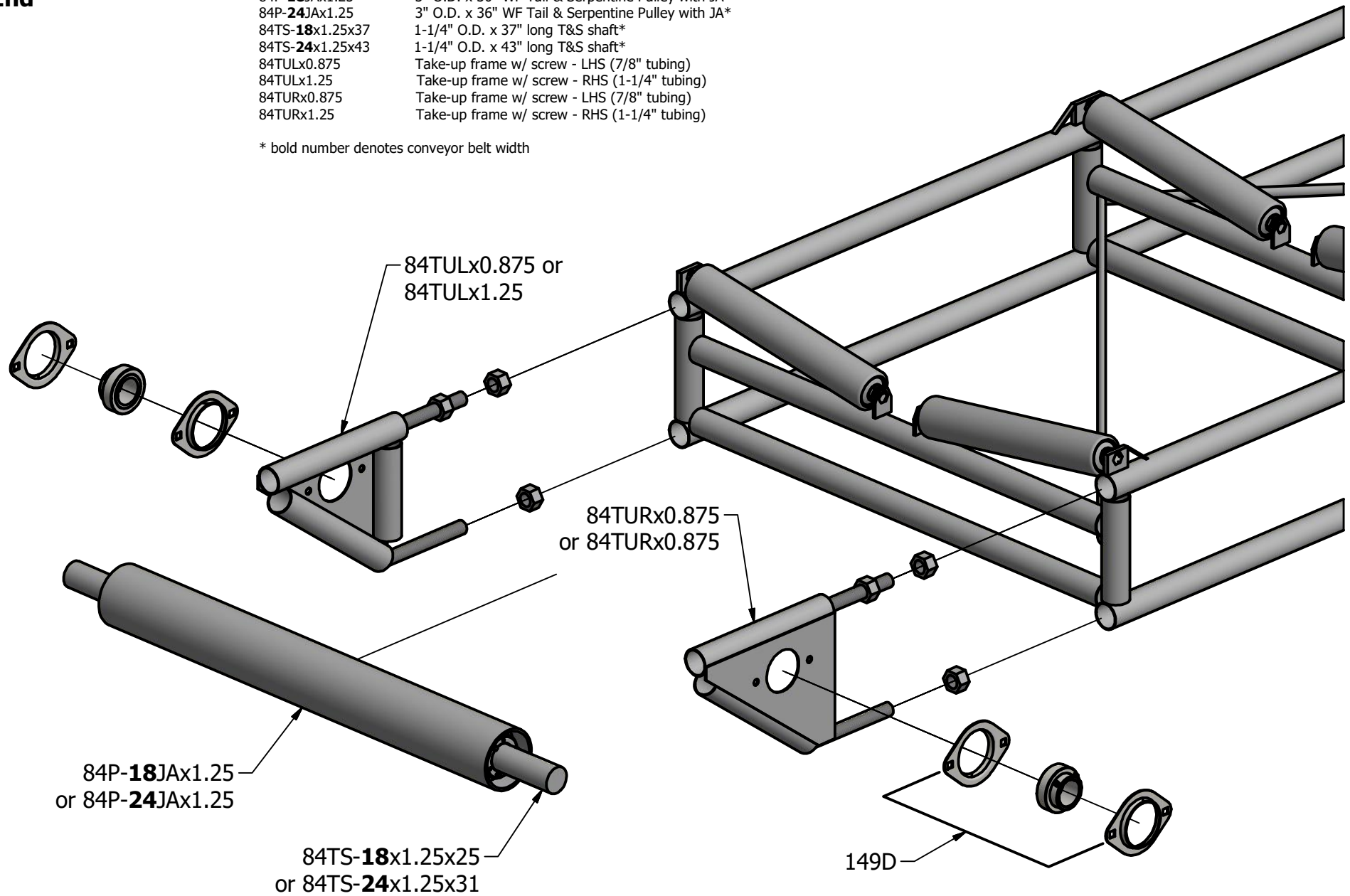
* bold number denotes conveyor belt width



Model BDCU Idle End

Part#	Description
149D	1-1/4" Bearing w/ 2-hole Oval Flangettes
84P- 18 JAx1.25	3" O.D. x 30" WF Tail & Serpentine Pulley with JA*
84P- 24 JAx1.25	3" O.D. x 36" WF Tail & Serpentine Pulley with JA*
84TS- 18 x1.25x37	1-1/4" O.D. x 37" long T&S shaft*
84TS- 24 x1.25x43	1-1/4" O.D. x 43" long T&S shaft*
84TULx0.875	Take-up frame w/ screw - LHS (7/8" tubing)
84TULx1.25	Take-up frame w/ screw - RHS (1-1/4" tubing)
84TURx0.875	Take-up frame w/ screw - LHS (7/8" tubing)
84TURx1.25	Take-up frame w/ screw - RHS (1-1/4" tubing)

* bold number denotes conveyor belt width



E-ZLIFT Bottom Dump Car Unloader BDCU (18" & 24" model)

Full Parts List Including Belting and Accessories

Part#	Description
19x1.375	19" long idler return roller assembly w/ 1-3/8" O.D.
25x1.375	25" long idler return roller assembly w/ 1-3/8" O.D.
84P-18JAx1.25	3" O.D. x 18" WF Tail & Serpentine Pulley w/ JA*
84P-24JAx1.25	3" O.D. x 24" WF Tail & Serpentine Pulley w/ JA*
84TS-18x1.25x25	1-1/4" O.D. x 25" long T&S shaft*
84TS-24x1.25x31	1-1/4" O.D. x 31" long T&S shaft*
84TULx0.875	Take-up frame w/ screw - LHS (7/8" tubing)
84TULx1.25	Take-up frame w/ screw - LHS (1-1/4" tubing)
84TURx0.875	Take-up frame w/ screw - RHS (7/8" tubing)
84TURx1.25	Take-up frame w/ screw - RHS (1-1/4" tubing)
130	Section of #40 Roller Chain w/ connecting link
141	11-tooth Sprocket w/ 5/8" bore for #40 roller chain
142	11-tooth Sprocket w/ 3/4" bore for #40 roller chain
145	60-tooth Sprocket w/ 1" bore for #40 roller chain
145A	60-tooth Sprocket w/ 1-1/4" bore for #40 roller chain
146	Chain Guard for #40 roller chain
149	1" Bearing w/ 3-hole Triangular Flangettes
149A	1" Bearing w/ Rectangle/Oval Flangettes
149B	1-1/4" Bearing w/ 3-hole Triangular Flangettes
149C	1-1/4" Bearing w/ Rectangle/Oval Flangettes
149D	1-1/4" Bearing w/ 2-hole Oval Flangettes
150	3/4" Bearing w/ 3-hole Round Flangettes
153	5/8" Bearing w/ 3-hole Round Flangettes
168	2-1/2" O.D. x 5/8" bore B Pulley
178	11" O.D. x 3/4" bore v-belt Pulley
179	11" O.D. x 5/8" bore v-belt Pulley
181	5L1000/B67 V-Belt
190A	V-Belt Guard
198	7" long idler top roller
198A	11" long idler rop roller
199	19" long idler return roller assembly
199A	25" long idler return roller assembly
328-18	Drive Pulley w/ 1" bore x 18"*
330-24	Drive Pulley w/ 1-1/4" bore x 24"*
334-18	5/8" O.D. Secondary Drive Shaft x 18"*
335-24	3/4" O.D. Secondary Drive Shaft x 24"*
348-18	1" O.D. Drive Shaft x 18"*
350-24	1-1/4" O.D. Drive Shaft x 24"*
399MBAhex	Mounting Bracket for return roller
M3558	2 hp 208-230/460V 3 phase TEFC motor

* bold number denotes conveyor belt width

Belt Parts and Accessories

Part#	Description
323-xxmcb	-xx wide, 3/16" high continuous mini-cleated belt*
323-86-18	Dolly for 18" wide belt bottom dump car unloader
323-88-24	Dolly for 24" wide belt bottom dump car unloader
325-M7-xx	Set of -xx long Screw Lacing w/ 7mm screws*
326-xxmcb	Set of #RS125 x -xx long Staple Lacing*, **

* xx denotes conveyor belt width (18" or 24")

** requires #326-4 tool for assembly

