

# E-ZLIFT Accessories

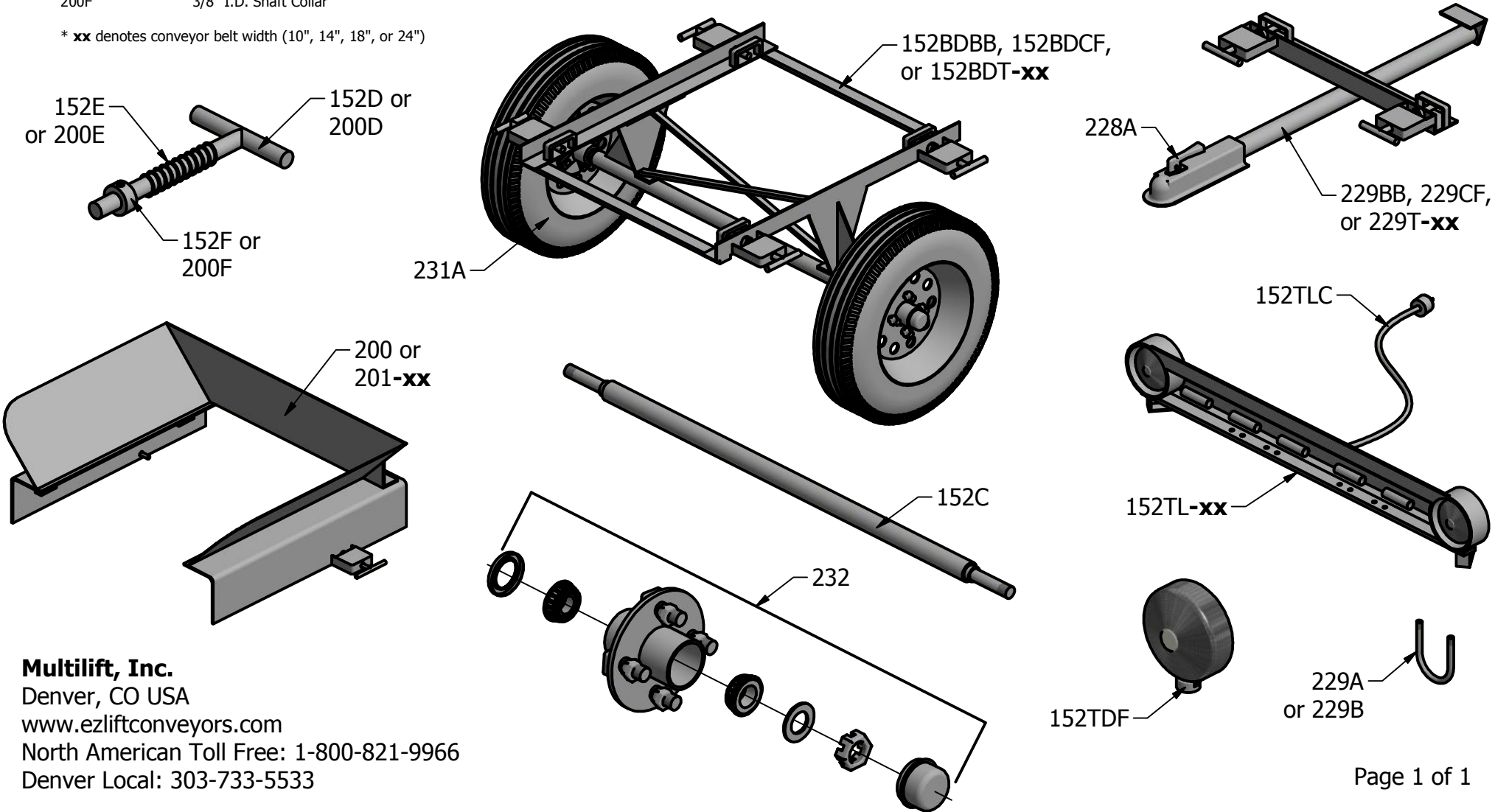
## Dolly & Hitch Assembly, Tail-Light Assembly, Receiving Hopper

152BDBB	Dolly with 530 x 12 tires and wheel assembly - BB
152BDCF	Dolly with 530 x 12 tires and wheel assembly - C&F
152BDT-xx	Dolly with 530 x 12 tires and wheel assembly - Troughing-xx*
152C	Weld-on axle with spindles, includes (2) nuts w/ cotter
152D	5/8" O.D. T-Handle
152E	5/8" I.D. Compression Spring
152F	5/8" I.D. Shaft Collar
152TDF	Dual Face Tail Light
152TL-xx	Tail-Light assembly*
152TLC	4 wire cord w/ 4 wire flat plug (specify conveyor length)
200D	3/8" O.D. T-Handle
200E	3/8" I.D. Compression Spring
200F	3/8" I.D. Shaft Collar

200	Receiving Hopper for BB model
201-xx	Receiving Hopper for troughing models*
231A	580 x 12 tire and wheel assembly
232	4x4 hub assembly, includes (1) seal, (2) bearings, (4) lug nuts, (1) washer, (1) nut, (1) dust cap
228A	Latch repair kit for 2" ball coupler
229BB	Hitch assembly - BB
229CF	Hitch assembly - C&F
229T-xx	Hitch assembly - Troughing-xx*
229A	U-bolt for 7/8" tubing w/ hardware
229B	U-bolt for 1-1/4" tubing w/ hardware

\* xx denotes conveyor belt width (10", 14", 18", or 24")

\* xx denotes conveyor belt width (10", 14", 18", or 24")



**Multilift, Inc.**  
 Denver, CO USA  
[www.ezliftconveyors.com](http://www.ezliftconveyors.com)  
 North American Toll Free: 1-800-821-9966  
 Denver Local: 303-733-5533